

Name : \_\_\_\_\_

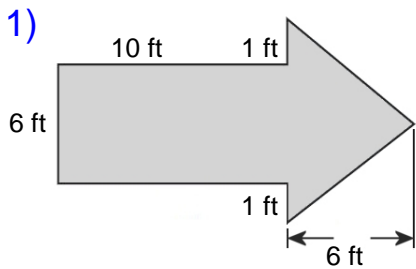
Score : \_\_\_\_\_

Teacher : \_\_\_\_\_

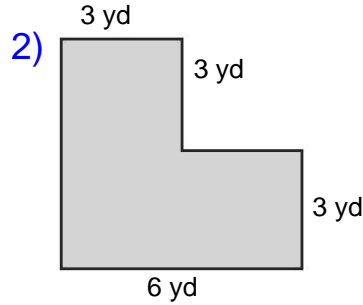
Date : \_\_\_\_\_

### Compound Shapes

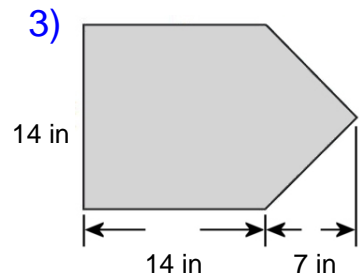
Find the area of each figure, round your answer to the nearest whole number if necessary.



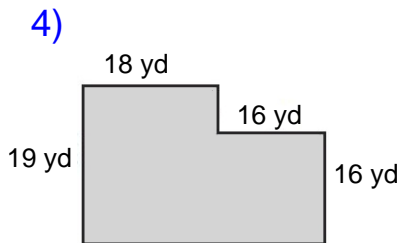
Area: \_\_\_\_\_



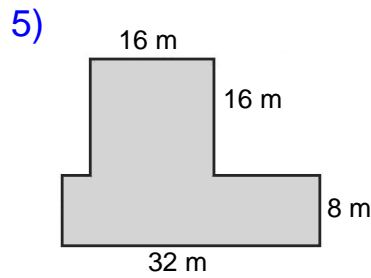
Area: \_\_\_\_\_



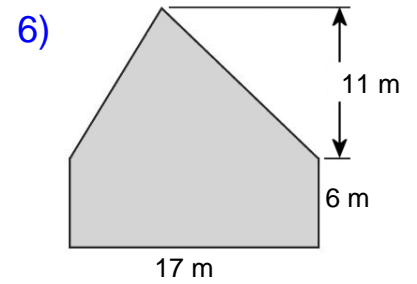
Area: \_\_\_\_\_



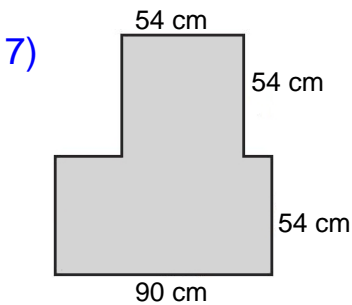
Area: \_\_\_\_\_



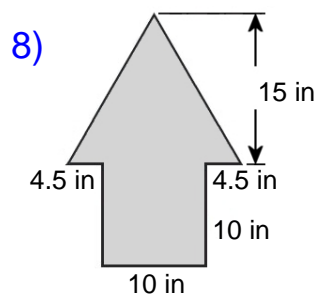
Area: \_\_\_\_\_



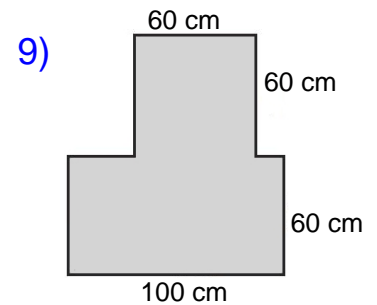
Area: \_\_\_\_\_



Area: \_\_\_\_\_



Area: \_\_\_\_\_



Area: \_\_\_\_\_

Name : \_\_\_\_\_

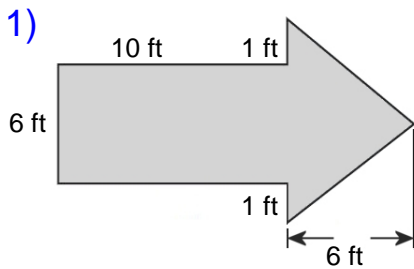
Score : \_\_\_\_\_

Teacher : \_\_\_\_\_

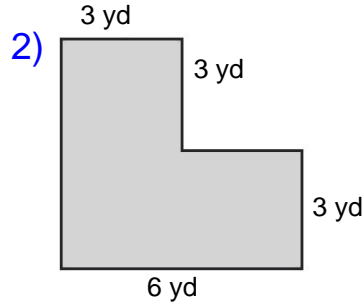
Date : \_\_\_\_\_

### Compound Shapes

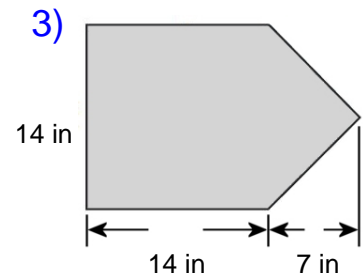
Find the area of each figure, round your answer to the nearest whole number if necessary.



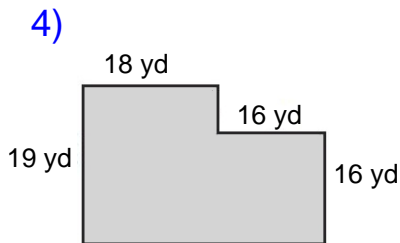
Area: 84 ft<sup>2</sup>



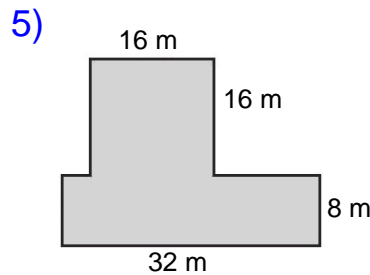
Area: 27 yd<sup>2</sup>



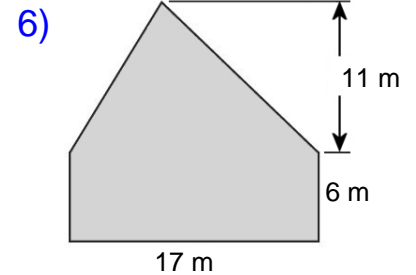
Area: 245 in<sup>2</sup>



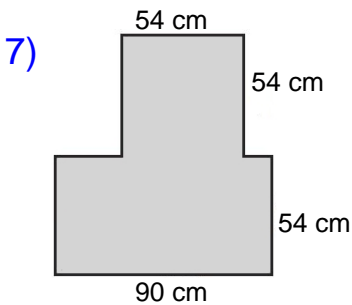
Area: 598 yd<sup>2</sup>



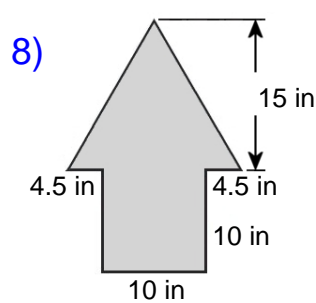
Area: 512 m<sup>2</sup>



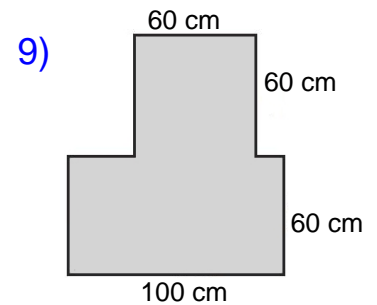
Area: 196 m<sup>2</sup>



Area: 7776 cm<sup>2</sup>



Area: 243 in<sup>2</sup>



Area: 9600 cm<sup>2</sup>