

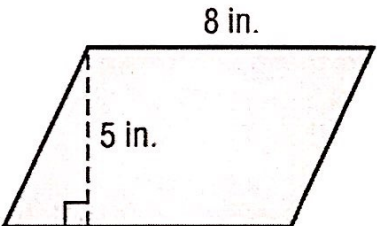
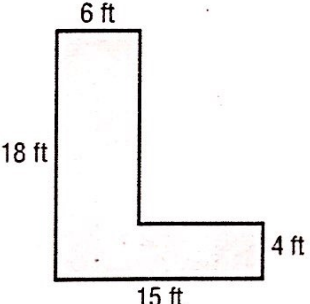
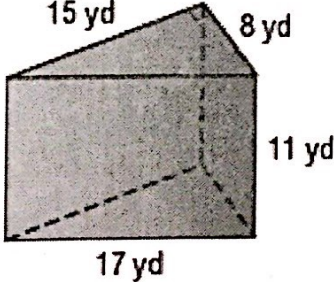
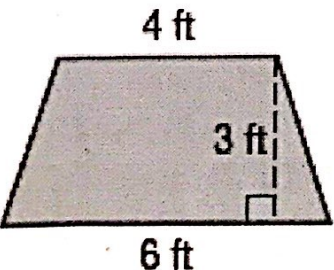
Math 6 - Unit 5: Area & Volume
Mixed Area Practice

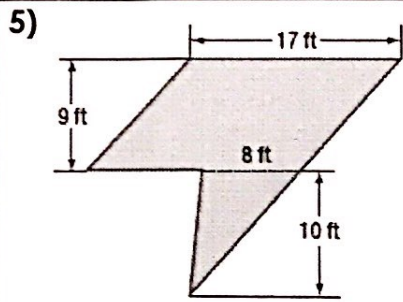
Name: KEY

Class Period: 1 2 3 4 Date: _____

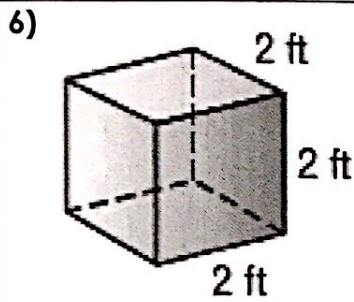
Parallelogram	Rectangle	Triangle	Trapezoid
$A = bh$ $A = lw$	$A = bh$ $A = lw$	$A = \frac{1}{2}bh$	$A = h\left(\frac{b_1 + b_2}{2}\right)$ <i>(Average of bases times height)</i>

Complete the following problems. You must show all work to get full credit!

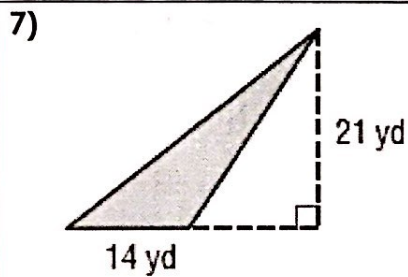
<p>1)</p> 	<p>Total Area: <u>40 in²</u></p>
<p>2)</p> 	<p>Total Area: <u>144 ft²</u></p>
<p>3)</p> 	<p>Total Surface Area: <u>560 yd²</u></p>
<p>4)</p> 	<p>Total Area: <u>15 ft²</u></p>



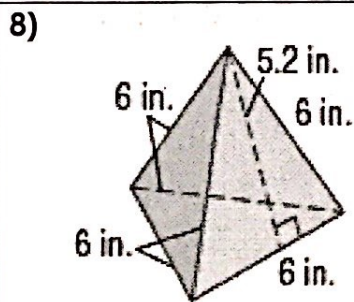
Total Area: 193 ft²



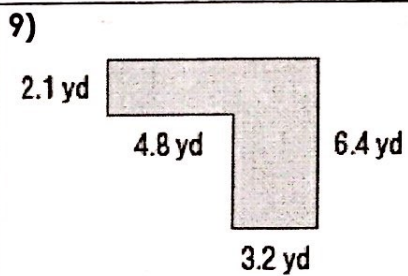
Total Surface Area: 24 ft²



Total Area: 147 yd²



Total Surface Area: 62.4 in²



Total Area: 30.56 yd²