

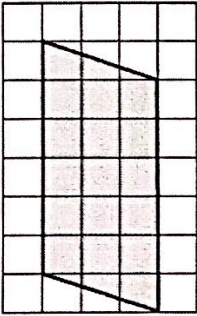
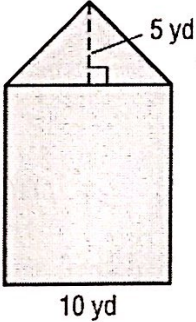
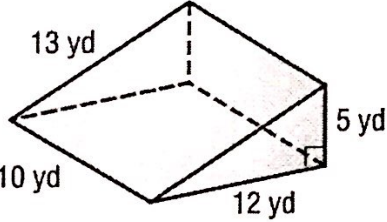
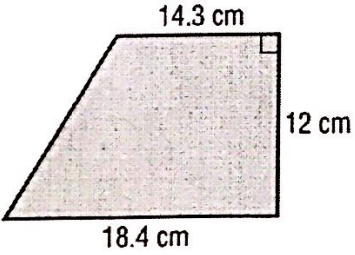
Math 6 - Unit 5: Area & Volume
Mixed Area Practice

Name: KEY

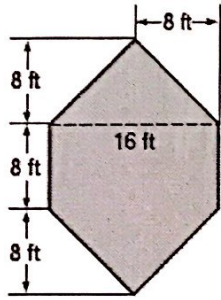
Class Period: 1 2 3 4 Date: _____

Parallelogram	Rectangle	Triangle	Trapezoid
$A = bh$ $A = lw$	$A = bh$ $A = lw$	$A = \frac{1}{2}bh$	$A = h\left(\frac{b_1 + b_2}{2}\right)$ <small>(Average of bases times height)</small>

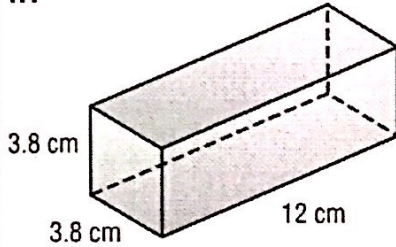
Complete the following problems. You must show all work to get full credit!

<p>1)</p> 	<p>Total Area: <u>18 units²</u></p>
<p>2)</p> 	<p>Total Area: <u>145 yd²</u></p>
<p>3)</p> 	<p>Total Surface Area: <u>360 yd²</u></p>
<p>4)</p> 	<p>Total Area: <u>196.2 cm²</u></p>

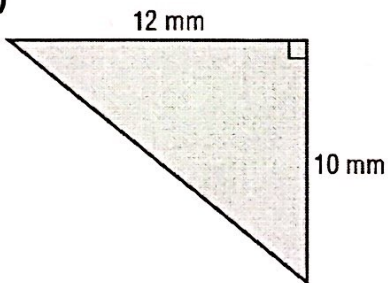
5)

Total Area: 256 ft²

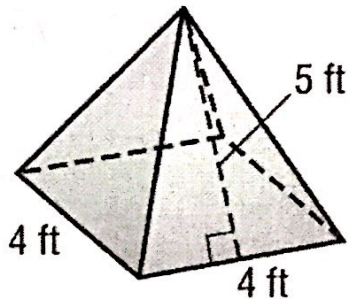
6)

Total Surface Area: 211.28 cm²

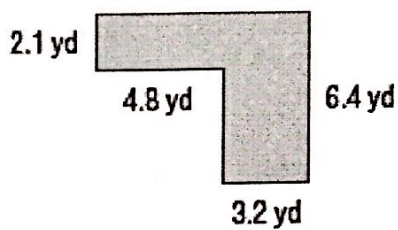
7)

Total Area: 60 mm²

8)

Total Surface Area: 56 ft²

9)

Total Area: 30.56 yd²