

Math 6 - Unit 5: Area & Volume

End of Unit Test Review #1

Name: _____

Class Period: 1 2 3 4 Date: _____

- 1) How could you determine the volume of a rectangular prism?
- 2) Give a real world example of something that relates to surface area.
- 3) Draw a net for the following figures:

Triangular Pyramid

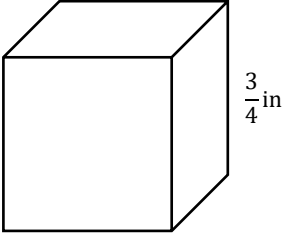
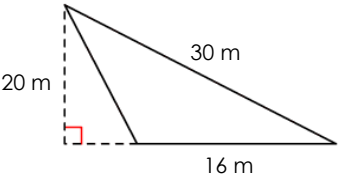
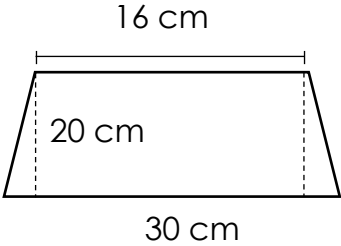
Triangular Prism

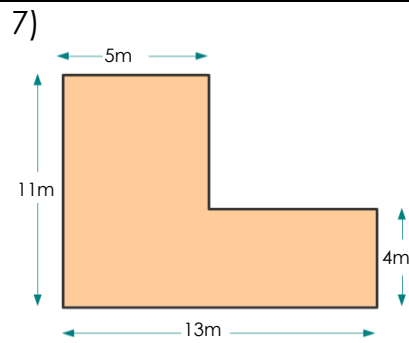
Cube

Square Pyramid

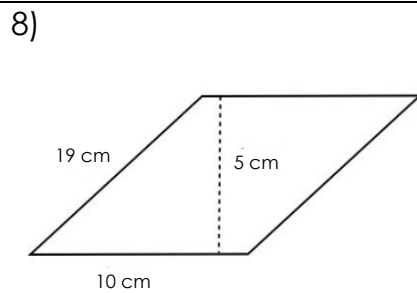
Rectangular Prism

Triangular Prism

4) 	<p style="text-align: right;">Volume of the Cube: _____</p>
5) 	<p style="text-align: right;">Area: _____</p>
6) 	<p style="text-align: right;">Area: _____</p>



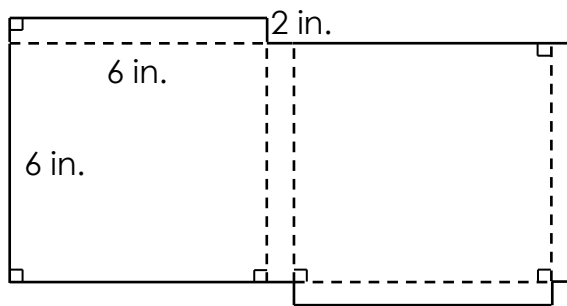
Area: _____



Area: _____

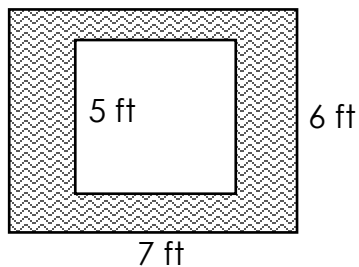
9) A box is covered with wrapping paper with no overlap. The net of the box is shown below.

How many square inches of wrapping paper is needed to cover the surface area of the box?

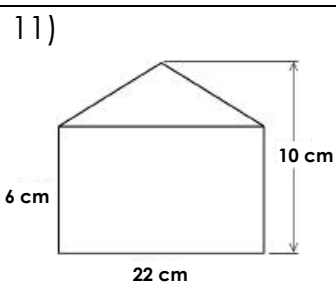


Surface Area: _____

10) What is the area of the shaded frame?



Area: _____



Area: _____

12)

Surface Area: _____

13) A fish tank is shown below. How many cubic inches of water can fit inside the tank?

Volume: _____

14)

Total Square cm needed to wrap the outside of the box:
Surface Area: _____

15) How much paper is needed to wrap a cube with a side length of 10 cm?

16) Draw 2 different nets that could be folded to make a cube.

17) A rectangular pool is 10 feet long, 14 1/2 feet wide, and 6 feet deep. How many cubic feet of water can it hold?

18) Give a real world example of something that relates to volume.